

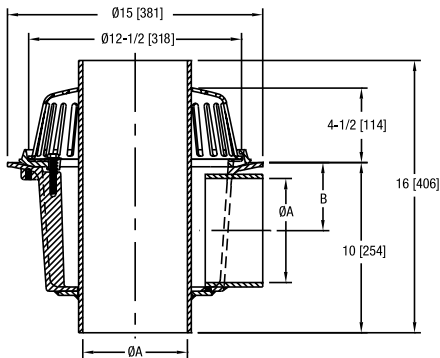
🕒 Z103 15" DIAMETER DEEP SUMP DUAL OUTLET ROOF DRAIN WITH LOW SILHOUETTE DOME



ENGINEERING SPECIFICATION

Zurn Z103 15" diameter dual outlet roof drain with 90° primary outlet connection features Dura-Coated cast iron deep sump body with combination membrane flashing clamp/gravel guard, overflow pipe (3", 4", and 6"), and low silhouette cast iron dome.

A Pipe Size inches [mm]	B inches [mm]	Dome Open Area sq in [cm ²]	Approximate Weight lb [kg]
3 [76]	5-9/16 [141]	103 [665]	60 [27]
4 [102]	5-1/16 [129]		
6 [152]	4 [102]		



PREFIXES	DESCRIPTION	PIPE SIZE	LIST PRICE
Z103*	D.C.C.I. Body with Cast Iron Dome	3"	2,900.00
		4"	3,331.00
		6"	3,502.00

OUTLETS (SPECIFY PIPE SIZE IN INCHES AND TYPE OF OUTLET)

OUTLET TYPE	OUTLET DESIGNATION (PIPE SIZE/OUTLET TYPE)	ADD	
NH	No-Hub	3NH, 4NH, 6NH	N/C

SUFFIXES

SUFFIXES	DESCRIPTION	ADD	
-AR	Acid Resistant Epoxy Coated Finish	1,355.00	
-C	Underdeck Clamp	244.00	
🕒 -DP	Top-Set® Roof Deck Plate (Replaces -C)	436.00	
-DU	Cast Iron Dome on Overflow Pipe	3" and 4"	1,202.00
		6"	1,832.00
-E	Static Extension 1" thru 4" (Specify Height)	D.C.C.I.	660.00
		Galv.	995.00
-E	For E Extensions Greater than 4" - Per Inch (Specify Height)	D.C.C.I.	158.00
		Galv.	242.00
-G	Galvanized Cast Iron	957.00	
-MS	Perforated Screen on Overflow Pipe	373.00	
-SS	Stainless Steel Mesh Screen Over Dome	502.00	
-VP	Vandal-Proof Secured Top	125.00	
-20F	2" High Overflow Pipe	N/C	
-45	45° Primary Outlet Connection (See Z103-45)	-	
-84	Stainless Steel Perforated Gravel Guard 1" thru 4"		784.00
		For Each Additional 1" above 4" - Per Inch (Specify Height)	79.00

BEST SELLERS

MODEL	LIST PRICE
Z103-4NH-4	3,331.00
Z103-4NH-4-DP-DU	4,969.00
Z103-6NH-6-DP	3,938.00
Z103-6NH-6-DP-DU-VP	5,895.00

Supplied By:



877-903-7246

www.commercialplumbingsupply.com